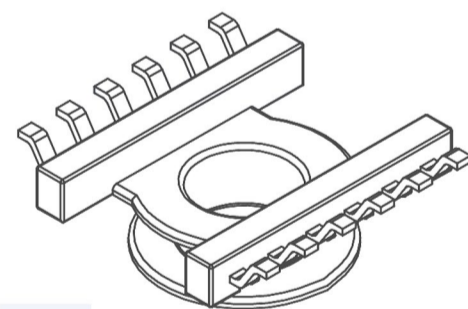
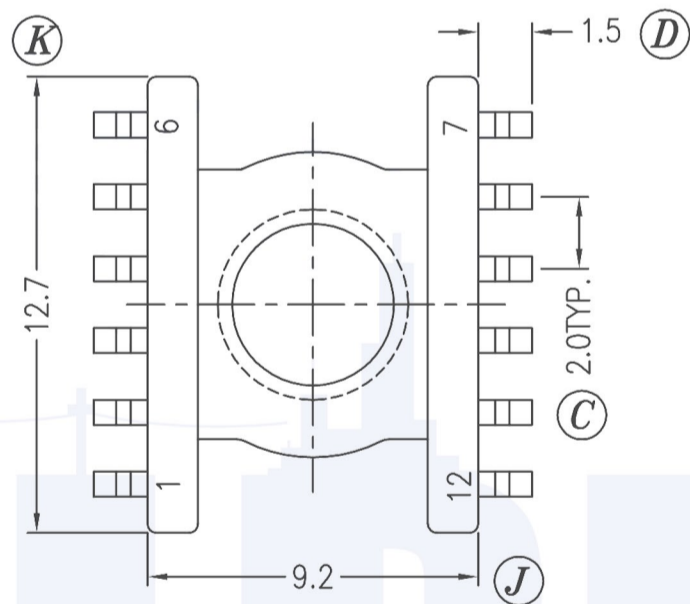
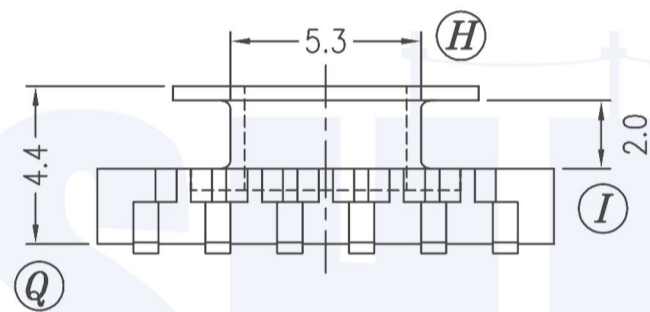
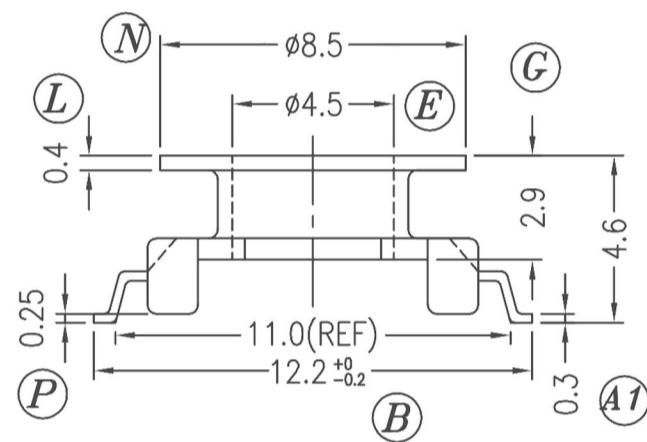
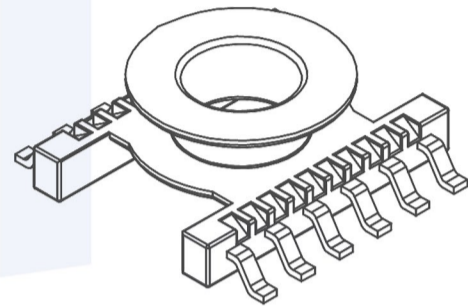
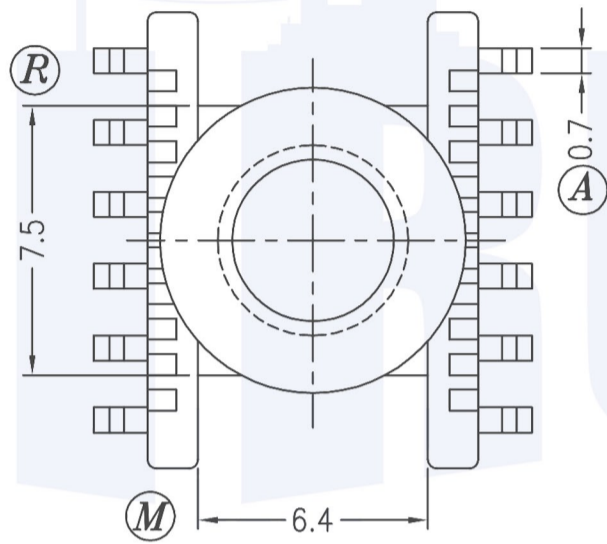





P/N
SR-SMD ER11.5-2



Hefei Shirui Electronic Technology Co.,Ltd

SR NO. SR-SMD ER11.5-2	MATERIAL: LCP-E4008	UNIT: mm TOLERANCE	DRN.	WILL H
MODEL NAME: SMD ER11.5-12P	UL REC: UL 94V-0	0 < L ≤ 4 ±0.10	CHD.	IRINA LEE
	ANGLE: ± ° 	4 < L ≤ 16 ±0.20	ISSD.	JAMES HU
	  SCALE 1:1	16 < L ≤ 64 ±0.30		
		PIN PITCH ±0.05		